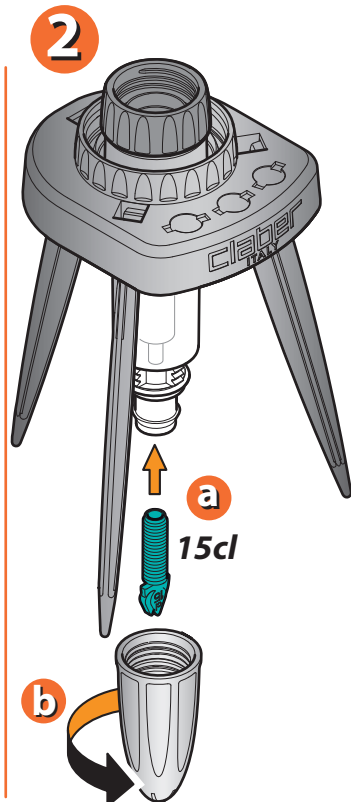
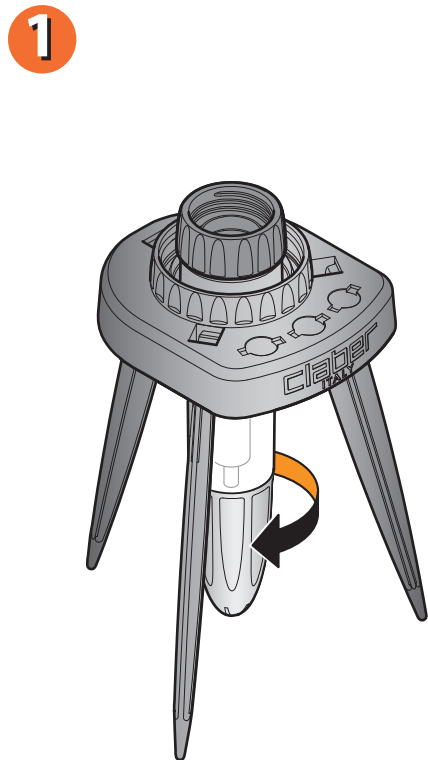


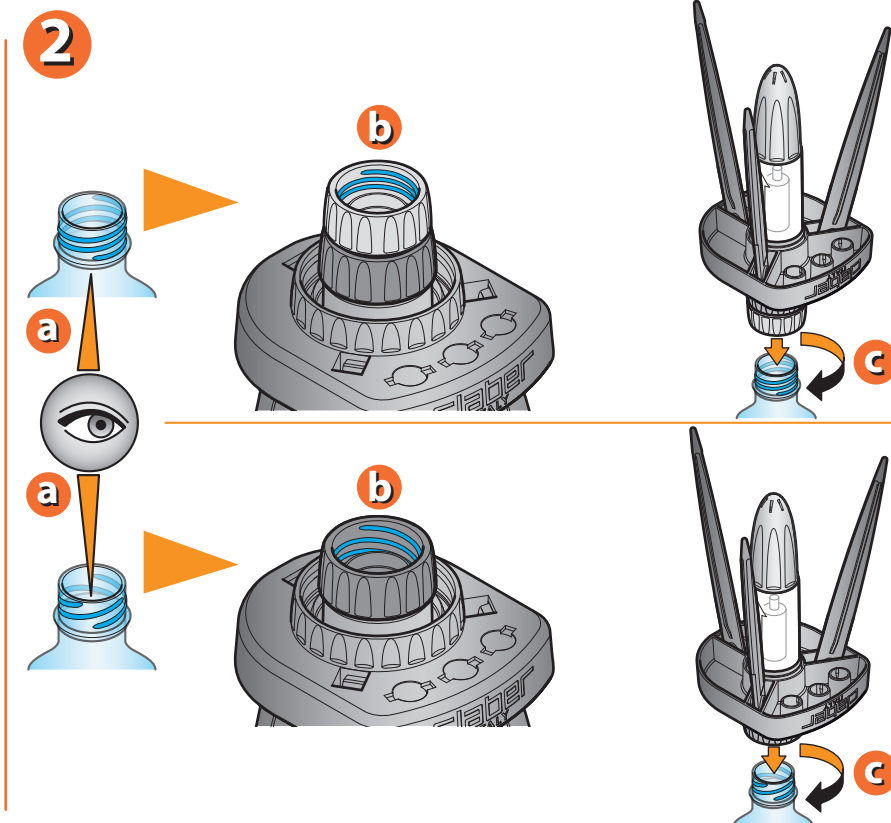
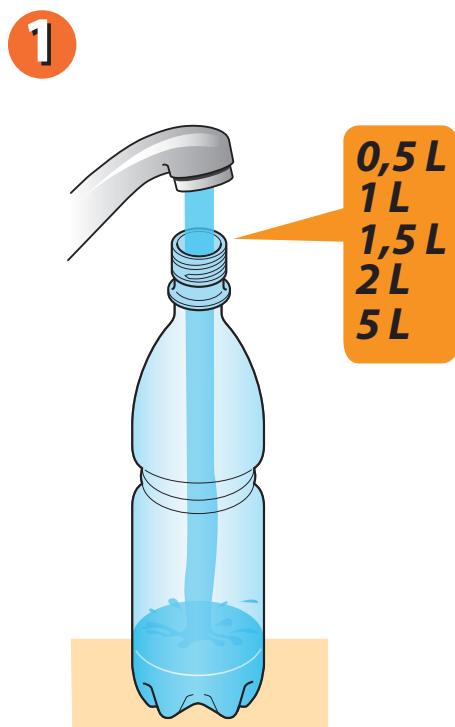
Do not use solid or liquid fertilizers. Do not expose the IDRIS irrigator to frost or extreme heat. Do not expose the bottle to sunlight. Clean with water, but do not use chemical solvents. Dry thoroughly after washing. Select the dripper most suitable for the type of plant.



MINIMAL WATERING - 10 cl per day				
10 cl		Cineraria Cactus Sanseveria	Nasturtium Poinsettia Euphorbia	Zinnia Ivy Tagetes Fatsia
MEDIUM WATERING - 15 cl per day				
15 cl		Anthurium Aspidistra Chamaedorea	Croton Dracena Gardenia	Kenzia Spatiflum Clivia Jasmine
MEDIUM-HEAVY WATERING - 20 cl per day				
20 cl		Asparagus Fern Camelia Aralia	Rubber Plant Fuchsia Calathea	Schefflera Yucca Dieffenbachia
HEAVY WATERING - 30 cl per day				
30 cl		Azalea Pothos Philodendron	Hibiscus Bougainvillea Geranium	Begonia Rhododendron Hydrangea Strelitzia

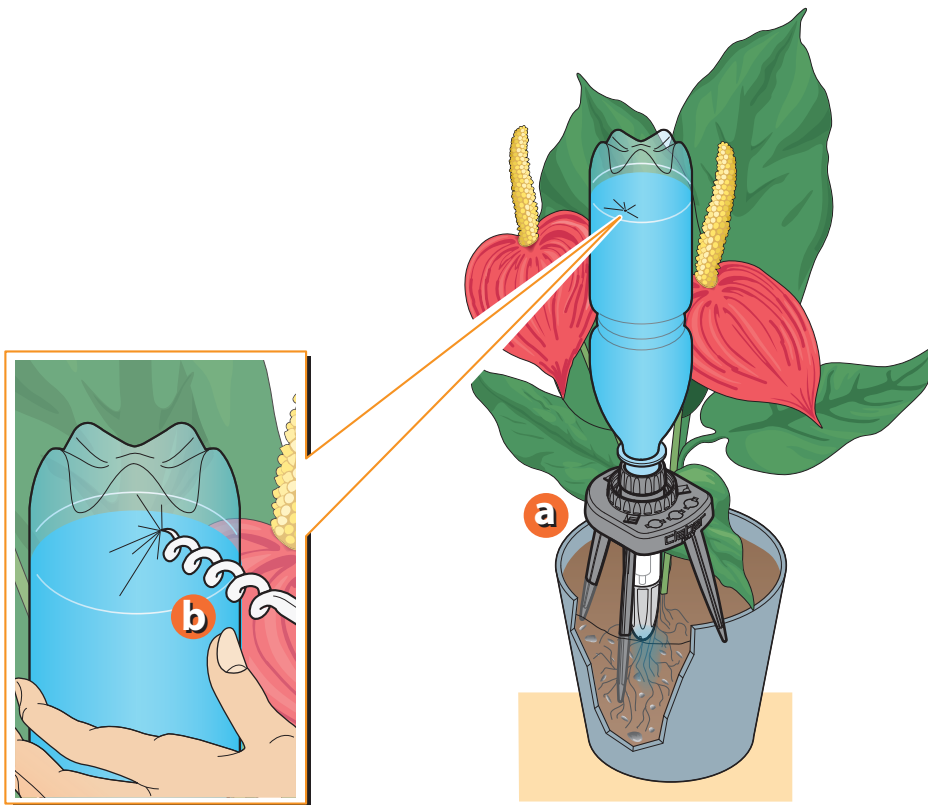
For Idris (cod.): 8055

Fill the plastic bottle with water. Select the adapter compatible with the thread of the bottle. Screw the IDRIS tripod onto the bottle.



For Idris (cod.): 8055

Anchor the tripod into the soil and pierce a small hole in the base of the bottle. The IDRIS tripod and bottle will stand perfectly stable in the pot. When the bottle is empty, simply fill it up again.

1

For Idris (cod.): 8055