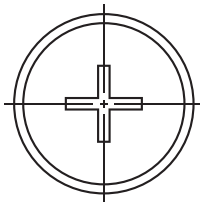
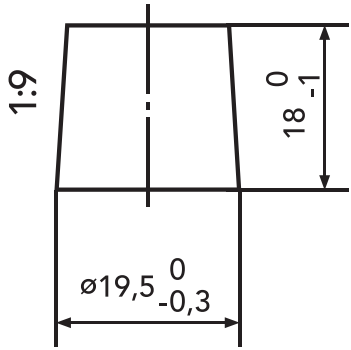
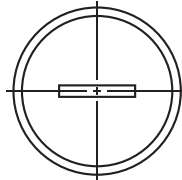
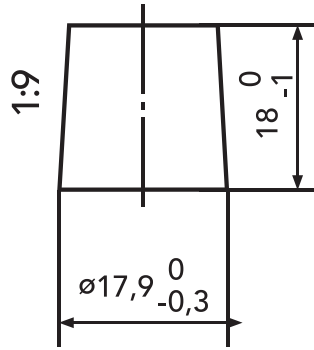


Terminal 1

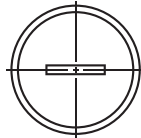
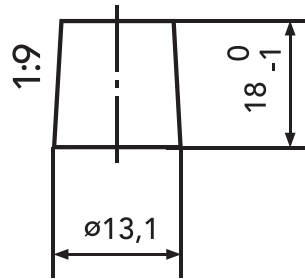
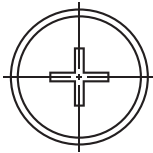
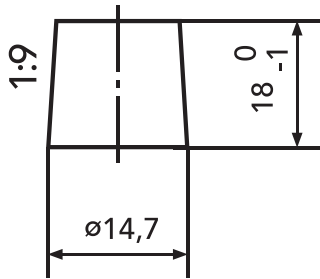


pos

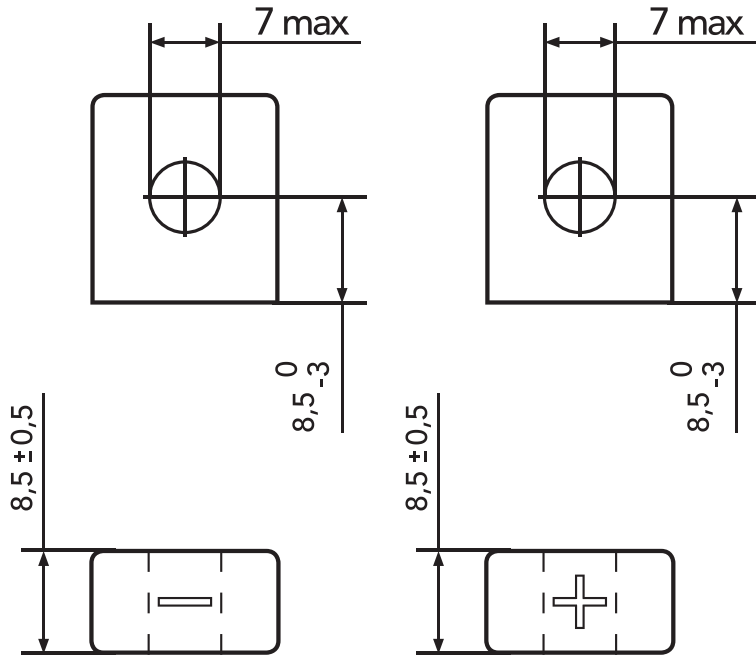


neg

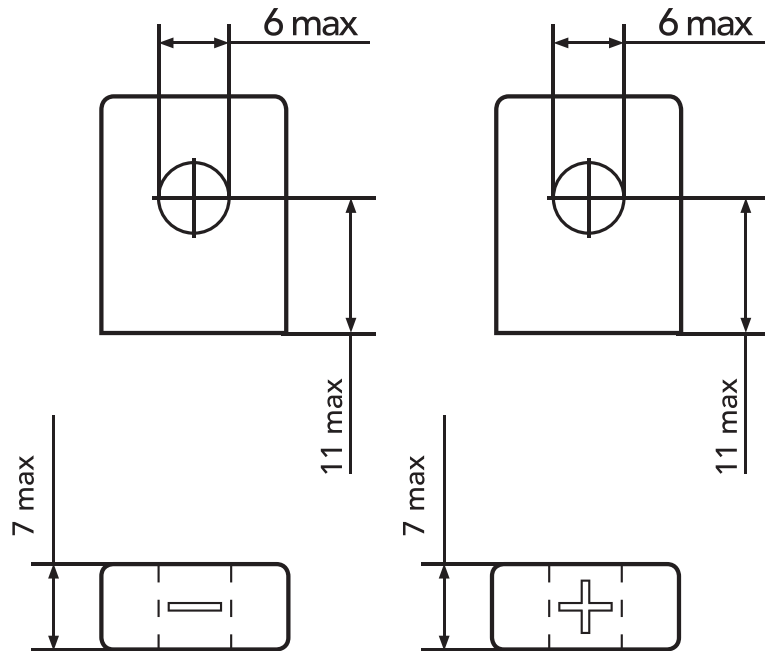
Terminal 3



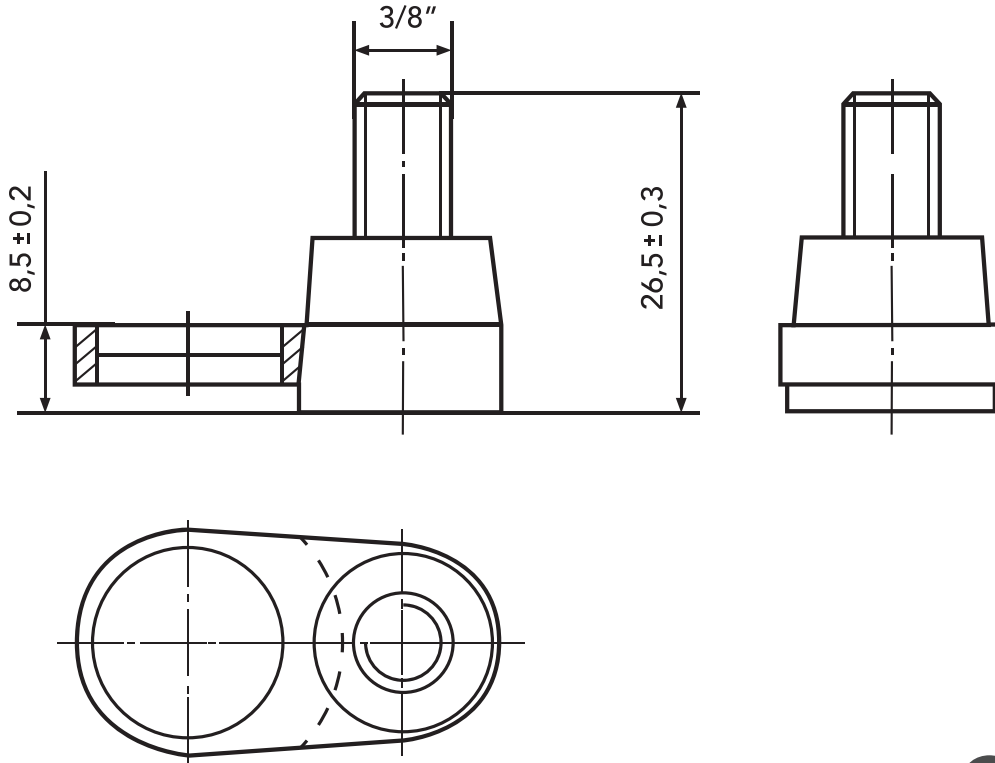
Terminal 4



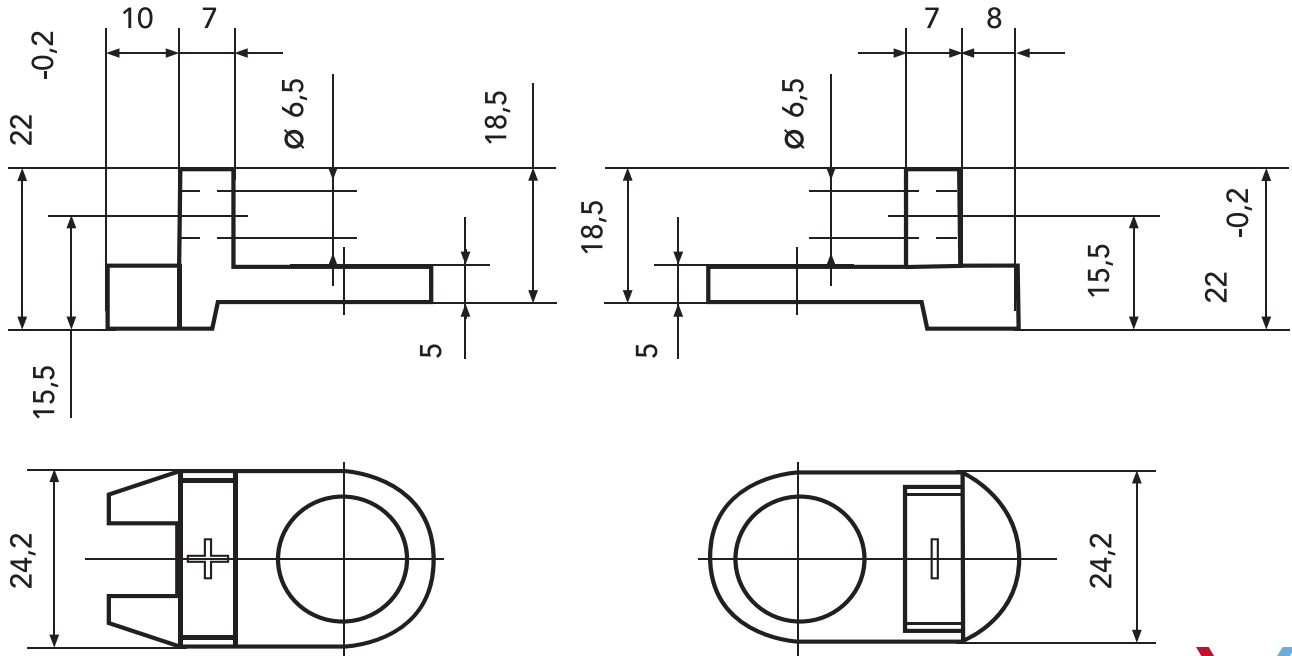
Terminal 5



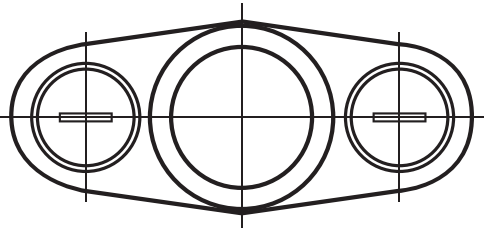
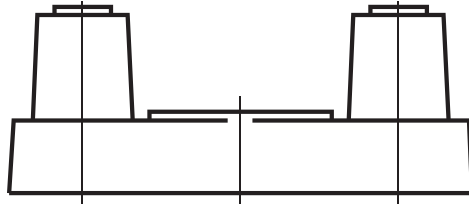
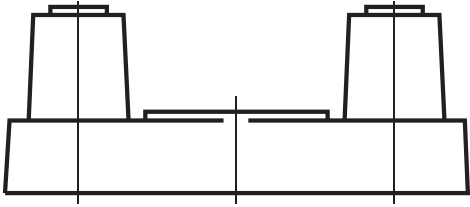
Terminal 8



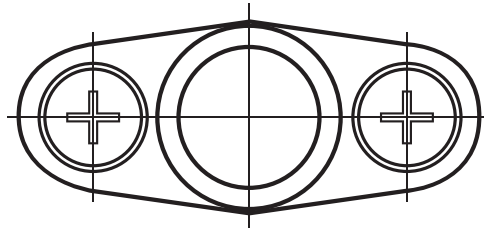
Terminal 19



Terminal 20



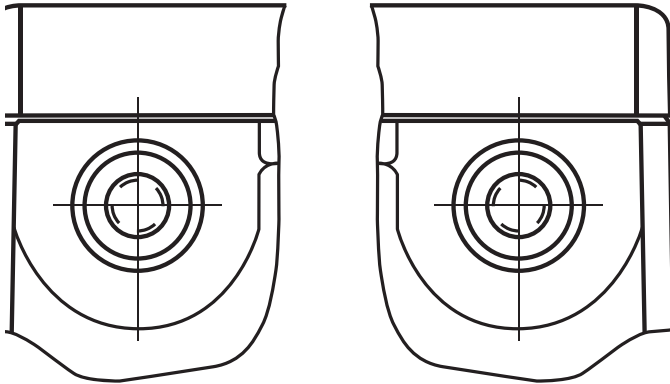
neg



pos

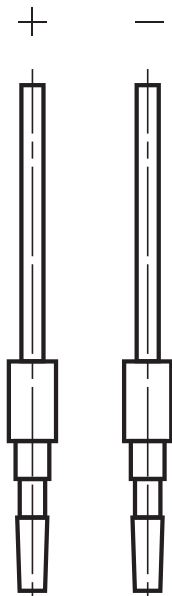
Dimension as shown in fig. "terminal 1"

Terminal 21

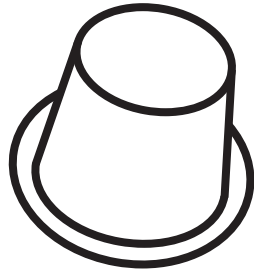


3/8" x 8

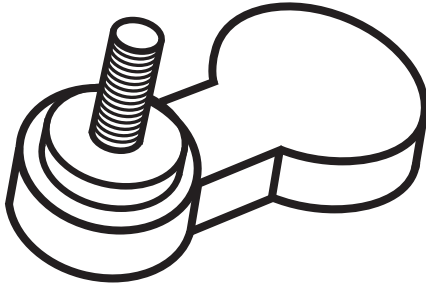
Terminal K



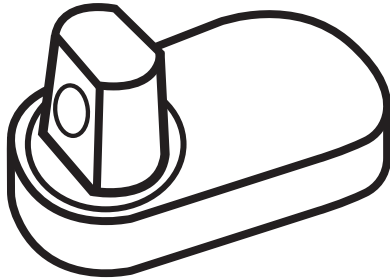
Terminal Type A



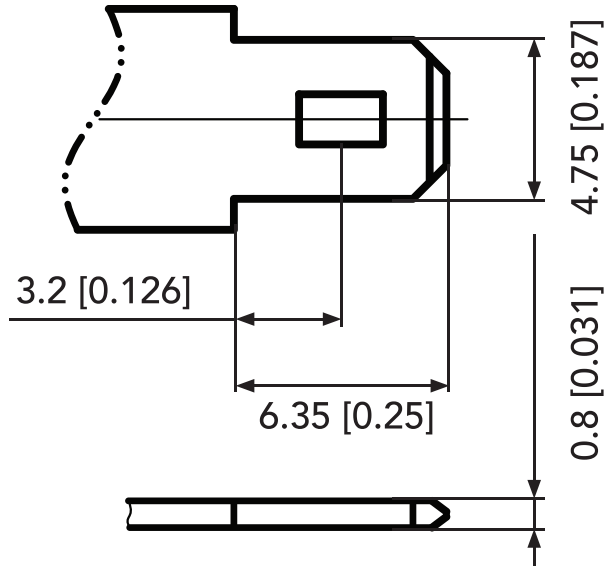
Terminal Type S



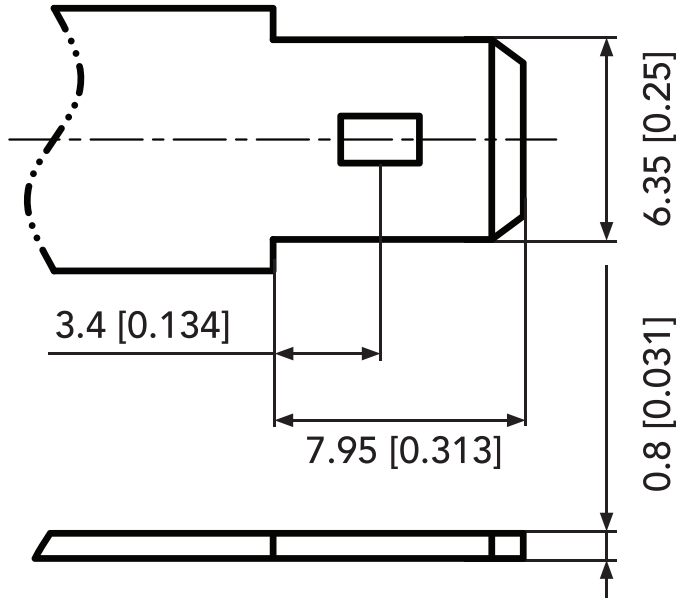
Terminal Type Z



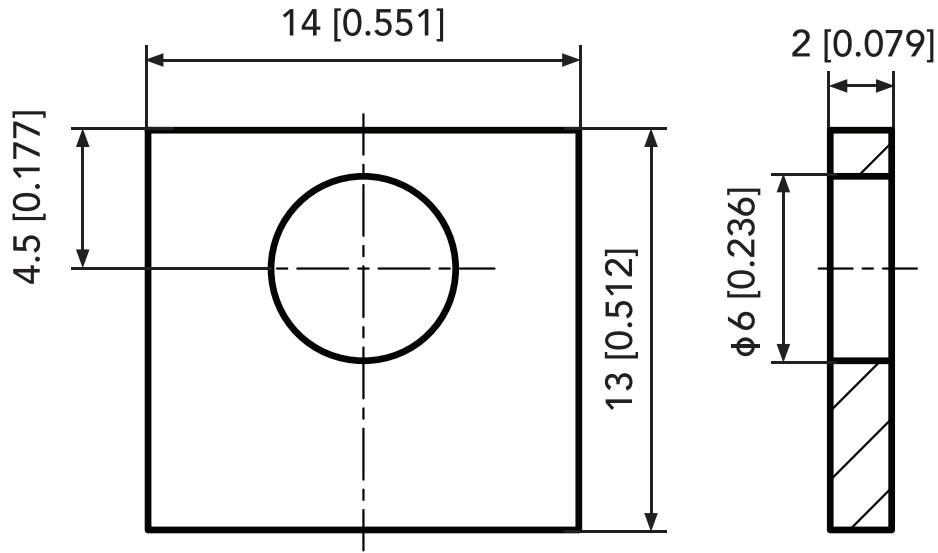
T1 Terminal



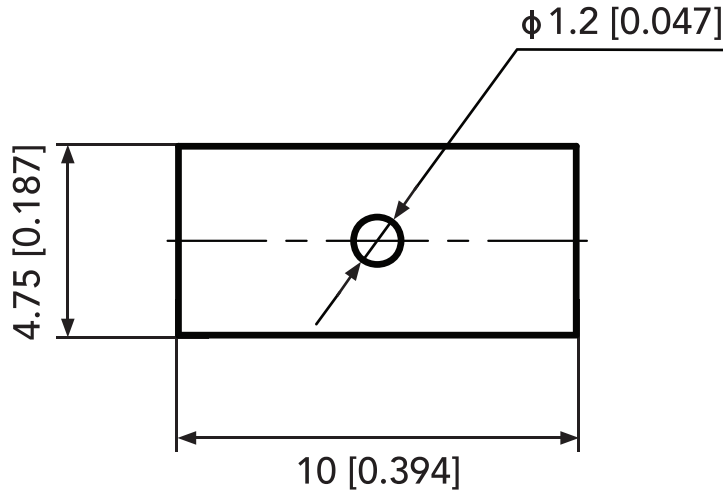
T2 Terminal



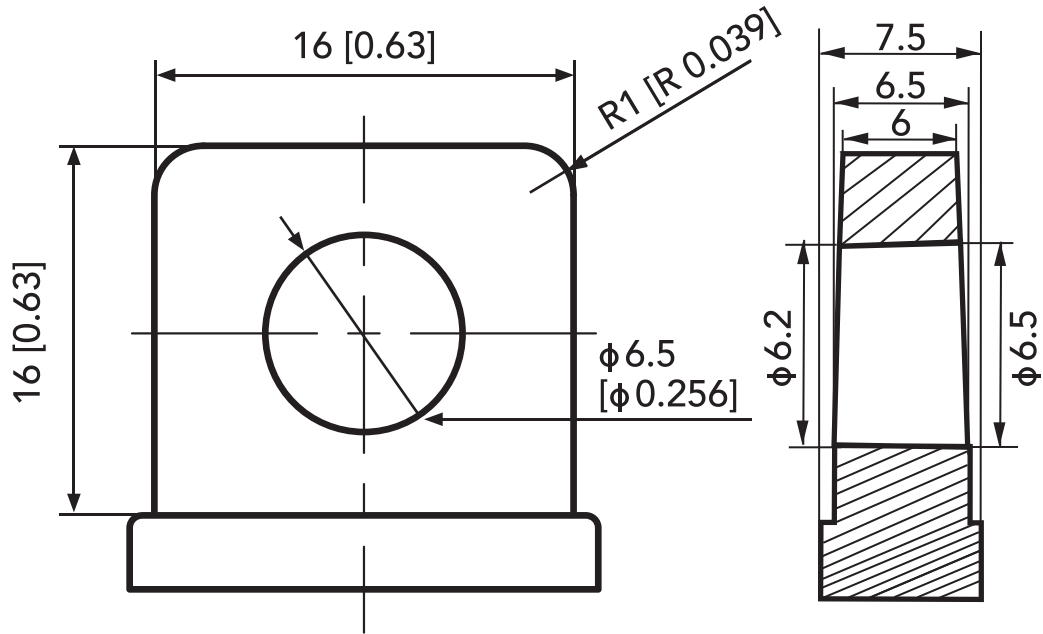
T3 Terminal



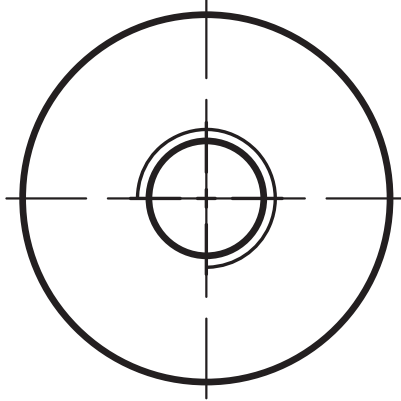
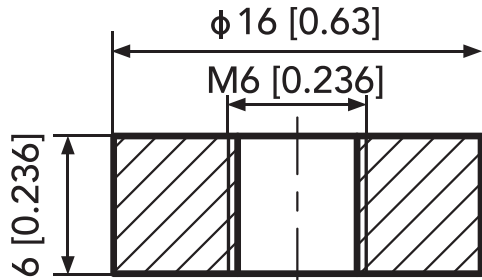
T4 Terminal



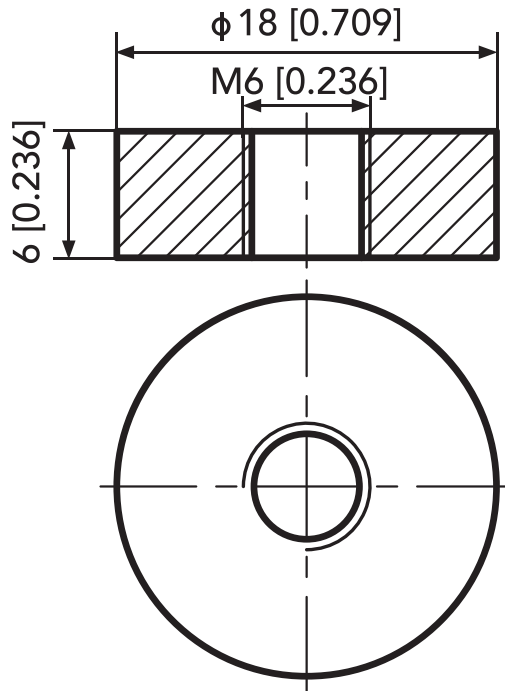
T5 Terminal



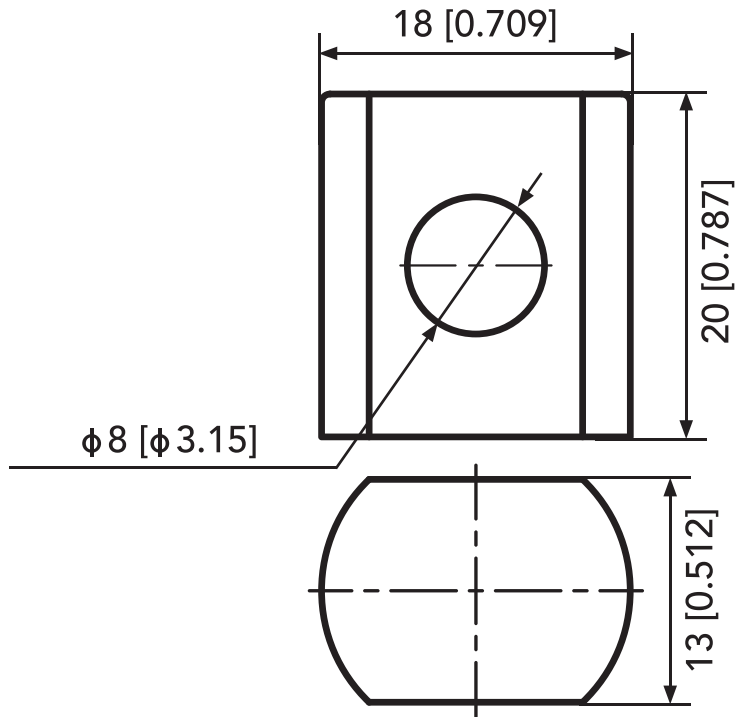
T6 Terminal



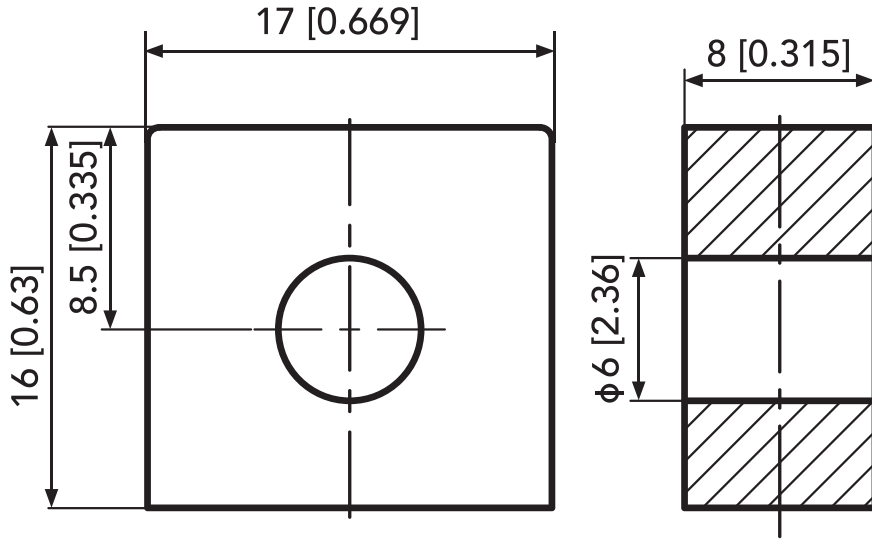
T7 Terminal



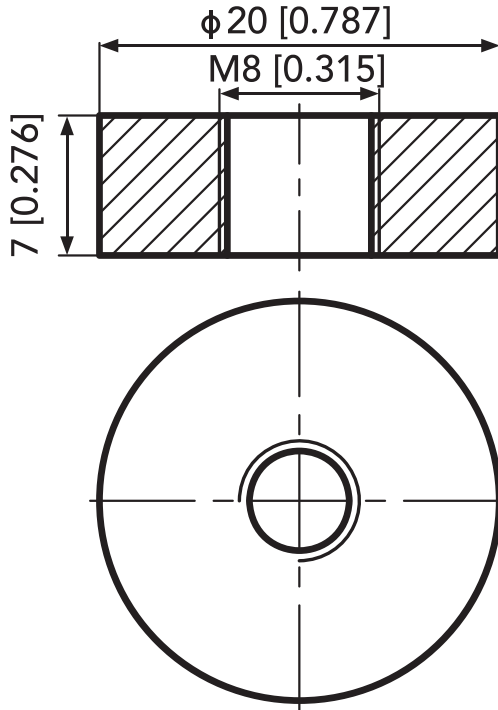
T9 Terminal



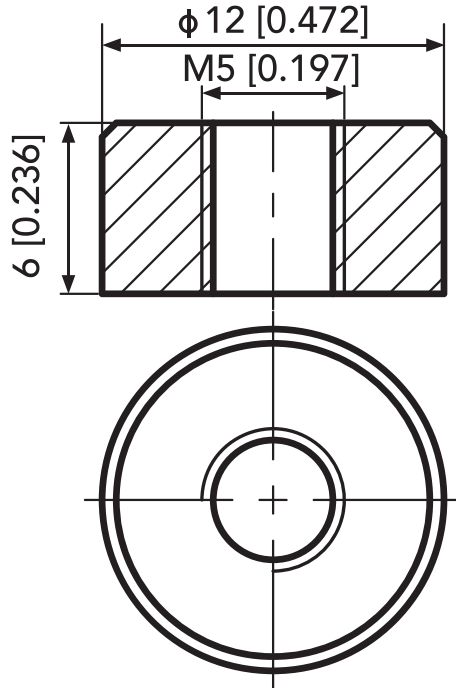
T10 Terminal



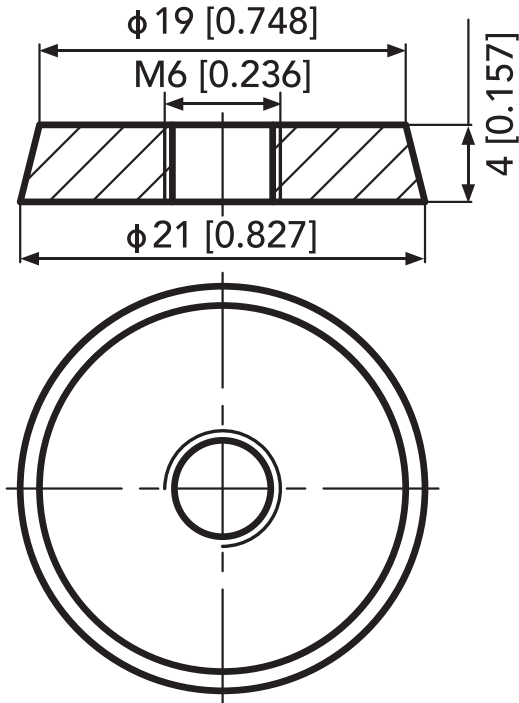
T11 Terminal



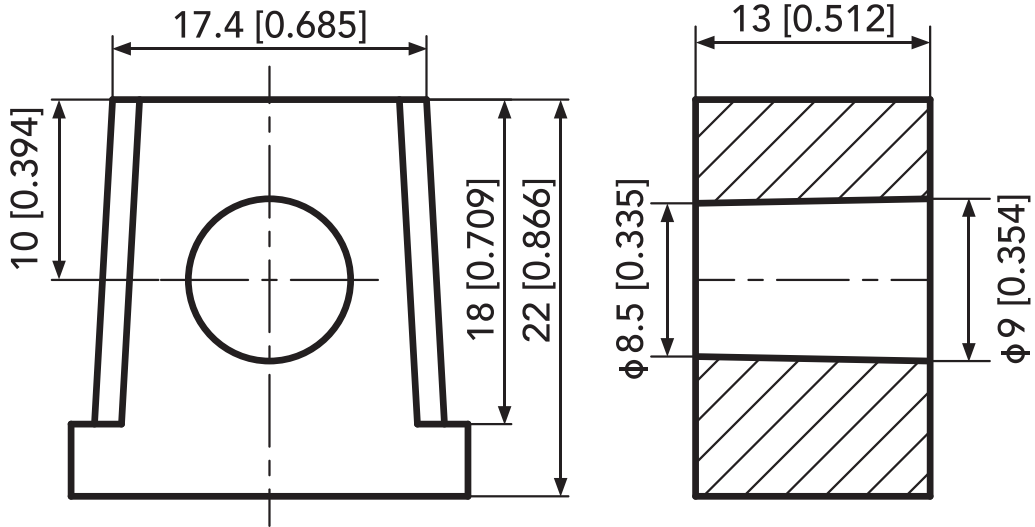
T12 Terminal



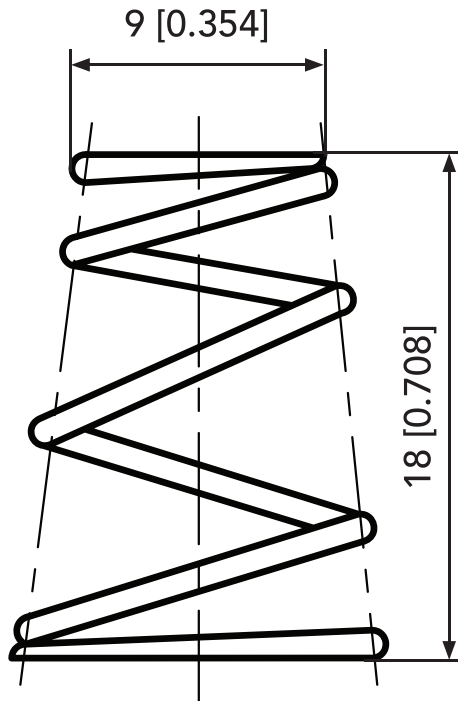
T13 Terminal



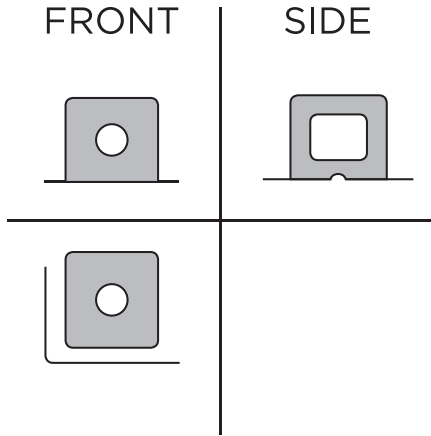
T14-1 Positive



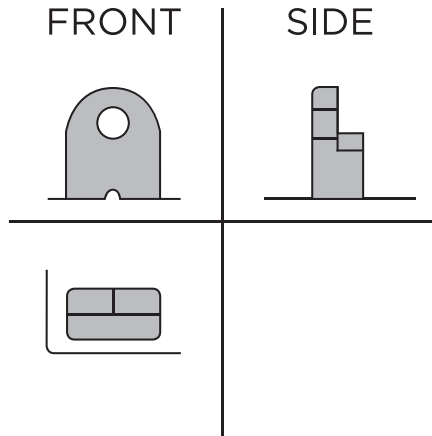
Spring Terminal



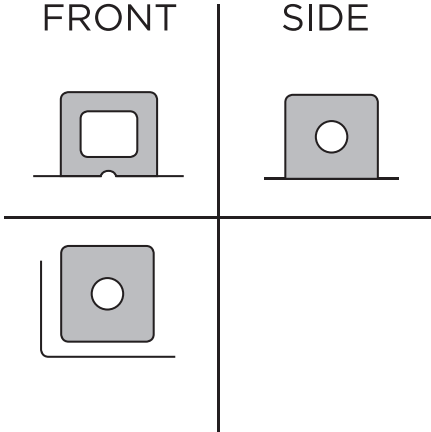
Terminal A



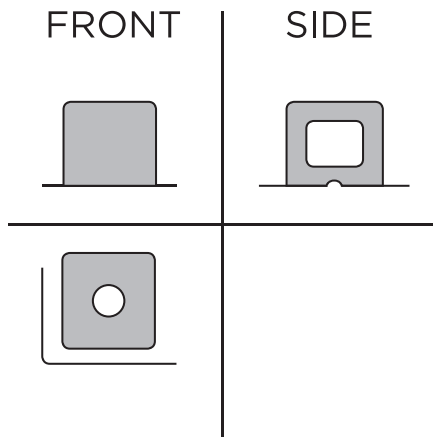
Terminal B



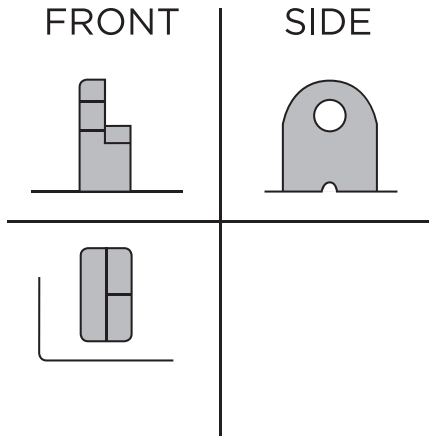
Terminal C



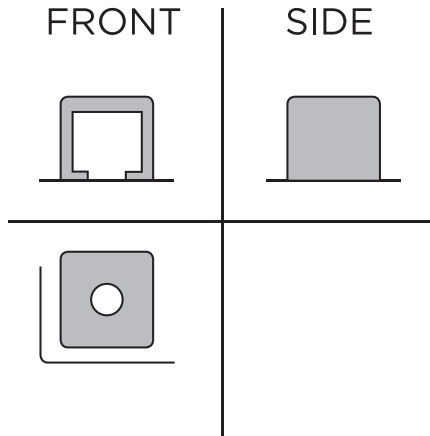
Terminal D



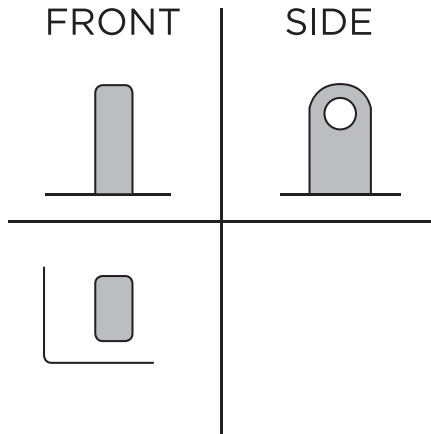
Terminal E



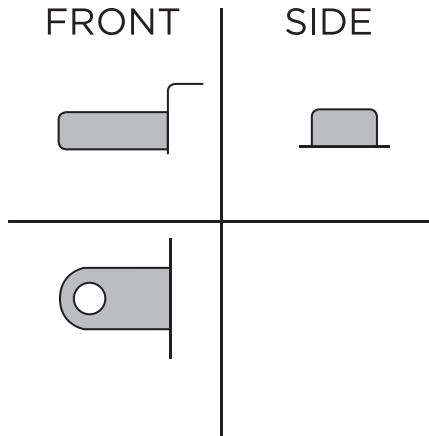
Terminal F



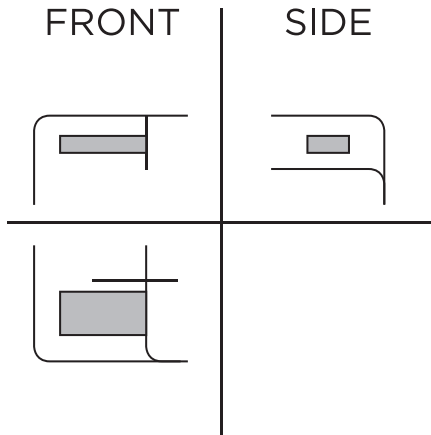
Terminal G



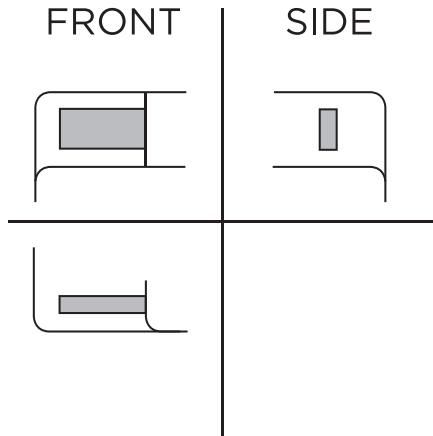
Terminal H



Terminal I



Terminal J



T14-2 Negative

